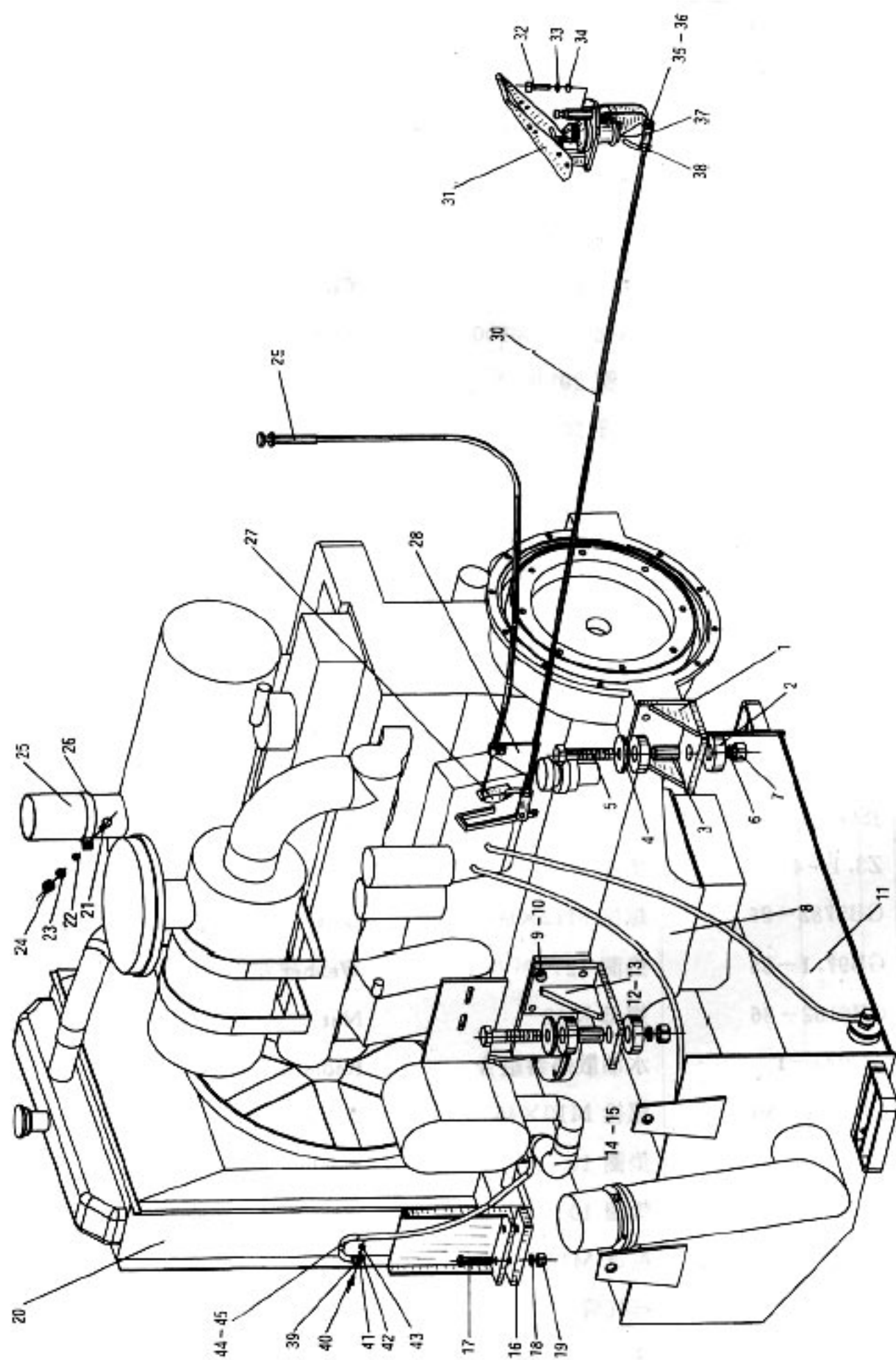


目 录

CONTENTS

1. Z3G. 1	柴油机系统	Engine System	1
2. Z3G. 1. 2	柴油箱总成	Fuel Tank Assembly	4
3. Z3G. 2	驱动桥总成	Driving Axle Assembly	6
4. Z3. 2. 00	主减速器总成	Main Reductor Assembly	8
5. Z3. 2. 00	轮边减速器总成	Planetary Reductor Assembly	10
6. Z3. 2. 00	制动器总成	Disk Brake	12
7. Z3G. 3A	传动液压系统	Transmission Hydraulic System	14
8. Z3. 3. 00	变矩器总成	Torque Converter	16
9. Z3. 3. 00	减压阀总成	Reducing Valve Assembly	20
10. Z3G. 4. 1	前传动轴	Front Drive Shaft	22
11. Z3G. 4. 2	后传动轴	Rear Drive Shaft	24
12. Z3G. 4. 3	主传动轴	Main Driving Shaft	26
13. Z3. 6. 00	变速箱箱体部件	Transmission Assembly	29
14. Z3. 6. 1	变速箱输入轴总成	Input Shaft Assembly	33
15. Z3. 6. 2	变速箱倒档轴总成	Reverse Shaft Assembly	35
16. Z3. 6. 3	变速箱中间轴总成	Medium Shaft Assembly	37
17. Z3. 6. 4	变速箱输出轴总成	Output Shaft Assembly	39
18. Z3. 6. 4. 1	变速箱手制动总成	Parking Brake Assembly	41
19. Z3. 6. 6	变速箱操纵阀总成	Transmission Control Valve Assembly	43
20. Z3. 6. 9	变速箱高低档拨叉机构	Yoke Assembly	45
21. Z3G. 7A	变速操纵	Transmission Propulsion	47
22. Z3G. 7. 1A	上部机构	Upper Mechanism	49
23. Z3G. 7. 2	联接杆	Link Rod	51
24. Z3G. 7. 3	连杆机构	Link Mechanism	53
25. Z3G. 7A	高低速操纵	Shift Control	55

1. Z3G.1 柴油机系统 Engine System



1. Z3G.1 发动机系统 Engine System

标号 Sr. No.	零件代号 Part No.	名 称 Part Description	数量 Q'ty	备 注 Remark
1	Z3G. 1. 1	前支架 Front Support	2	
2	Z3G. 1-1	橡胶垫 Rubber Plate	8	
3	Z3G. 1-2	支撑钢管 Support Pipe	4	
4	Z3G. 1-3	圆钢垫 Cushion	4	
5	GB5782-86	螺栓 M20×100 Bolt	4	
6	GB93-87	垫圈 20 Washer	4	
7	GB6182-86	螺母 20 Nut	4	
8	YC6105G-640H	柴油机 Engine	1	
9	GB5783-86	螺栓 M12×30 Bolt	16	
10	GB93-87	垫圈 12 Washer	16	
11	Z3G. 1. 2	燃油箱 Fuel Tank Assembly	1	
12	Z3G. 1. 3	右后支架 Plank	1	
13	Z3G. 1. 4	左后支架 Plank	1	
14	NO. 2	喉箍 Clamp	4	
15	JSG-2	进水管 φ45 Hose	2	
16	Z3. 1-4	垫片 Washer	2	
17	GB5782-86	螺栓 M12×60 Bolt	4	
18	GB97. 1-85	垫圈 12 Washer	4	
19	GB6182-86	螺母 M12 Nut	4	
20	ZL30G-I	水油散热器组合 Radiator	1	
21	GB5781-86	螺栓 M10×45 Bolt	1	
22	GB97. 1-85	垫圈 10 Washer	1	
23	GB93-87	垫圈 10 Washer	1	
24	GB6170-86	螺母 M10 Nut	1	
25	Z3G. 1-5	排气管 Hose	1	
26	Z3(YC). 1-2	箍 Clamp	1	
27	Z3G. 1. 6	固定座 Fixture Bracket	1	